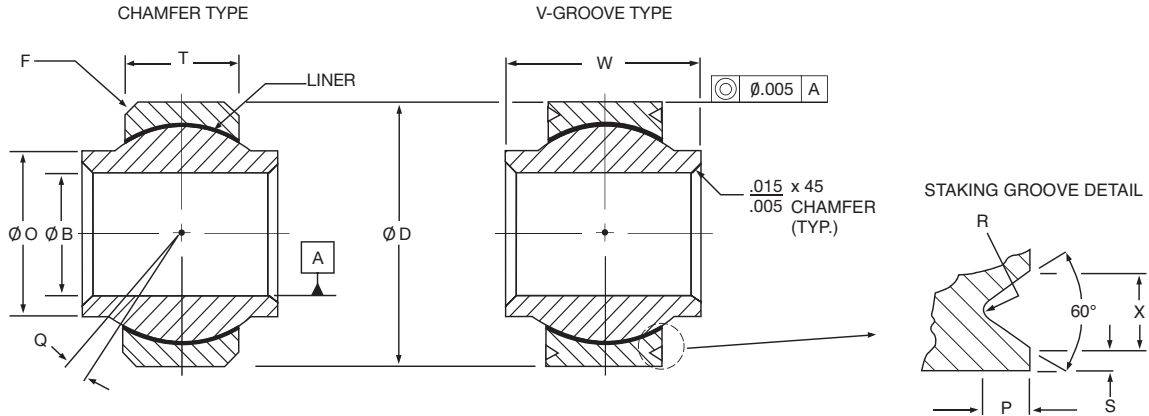


SPHERICAL BEARINGS – Self-Lubricating

High Misalignment



Part Number V-Grooved*	(B)	(D)	(W)	(T)	(O)	Ball Diameter	(F)	(Q)	(P)	(R)	(S)	(X)	No Load Rotational Breakaway Torque	Limit Static Radial Load	Dynamic Osc. Radial Load	Weight	
	Bore Diameter	Outside Diameter	Ball Width	Race Width	Shoulder Diameter		Race Chamfered x 45°	Mis-alignment									Staking Groove Data
	Inch	Inch	Inch	Inch	Inch	Inch	Inch	Ref.	Inch	Inch	Inch	Inch	Inch - lbs.	lbs.	lbs.	lbs.	
	+0.000 -0.005	+0.000 -0.005	+0.00 -0.005	+0.010 -0.000	Ref.	Ref.	+0.000 -0.010		+0.000 -0.015	+0.000 -0.010	+0.000 -0.010	+0.000 -0.010					Ref.
ADBY3V(L)	.1900	.5625	.500	.205	.319	.437	.020	15°	.030	.015	.020	.045	0.25-5.0	6440	3780	.018	
ADBY4V(L)	.2500	.7400	.593	.250	.390	.593	.020	24°	.030	.015	.020	.045	0.25-5.0	10790	5390	.036	
ADBY5V(L)	.3125	.6875	.625	.250	.418	.593	.020	20°	.030	.015	.020	.045	1.0-15.0	10790	5390	.029	
ADBY6V(L)	.3750	.9060	.813	.340	.512	.781	.030	23°	.030	.015	.020	.045	1.0-15.0	19170	9580	.068	
ADBY7V(L)	.4375	1.0000	.875	.340	.618	.875	.030	22°	.030	.015	.020	.045	1.0-15.0	21720	10860	.095	
ADBY8V(L)	.5000	1.1250	.937	.396	.730	1.000	.030	20°	.030	.015	.020	.045	1.0-15.0	28810	14400	.159	
ADBY10V(L)	.6250	1.3750	1.200	.562	.856	1.250	.030	20°	.040	.020	.030	.055	1.0-15.0	50260	25130	.245	
ADBY12V(L)	.7500	1.5625	1.280	.615	.970	1.375	.040	18°	.060	.020	.030	.080	1.0-15.0	60500	30250	.315	
ADBY14V(L)	.8750	1.7500	1.400	.620	1.140	1.531	.040	18°	.060	.020	.030	.080	1.0-24.0	68640	34320	.430	
ADBY16V(L)	1.0000	2.1250	1.875	.830	1.278	1.875	.040	21°	.060	.020	.030	.080	1.0-24.0	111280	55640	.831	
ADBY18V(L)	1.1250**	2.3125**	1.875	.937	1.400	2.062	.040	20°	.060	.020	.030	.080	1.0-24.0	138100	68970	1.096	
ADBY20V(L)	1.2500**	2.5000**	1.875	1.000	1.523	2.250	.040	21°	.060	.020	.030	.080	1.0-24.0	160660	80330	1.318	
ADBY22V(L)	1.3750**	2.7500**	2.125	1.093	1.670	2.500	.040	22°	.060	.020	.030	.080	1.0-24.0	195310	97550	1.800	
ADBY24V(L)	1.5000**	3.0000**	2.250	1.170	1.800	2.672	.040	21°	.060	.020	.030	.080	1.0-24.0	223470	111740	2.223	

* For chamfered version, delete 'V' from part number.
 ** Bore and O.D. tolerances: +.0000, -.0008.

Notes:

- Temperature: Operating temperature range -65° to 325°F. Broader temperature capabilities are achievable.
- Options: Bearings with PH13-8Mo balls will be designated by "13-8" suffix (Example: ADBY16-13-8(L)). For outside race diameter with plate per AMS-QQ-P-416, Type II, Class 2, add suffix "P" (Example: ADBY16VP(L)).
- Qualification: Liner approved to AS81820.

Materials

Part No.	Ball	Race	Liner
Catalog No.	CRES 440C AMS 5630 Rc55-62	CRES 17-4PH AMS 5643 Rc28-37	PTFE/Fabric Bonded to Race I.D. No Lub. Required
Catalog No. + 13-8	CRES PH13-8Mo AMS 5629 Rc43-47	CRES 17-4PH AMS 5643 Rc28-37	PTFE/Fabric Bonded to Race I.D. No Lub. Required