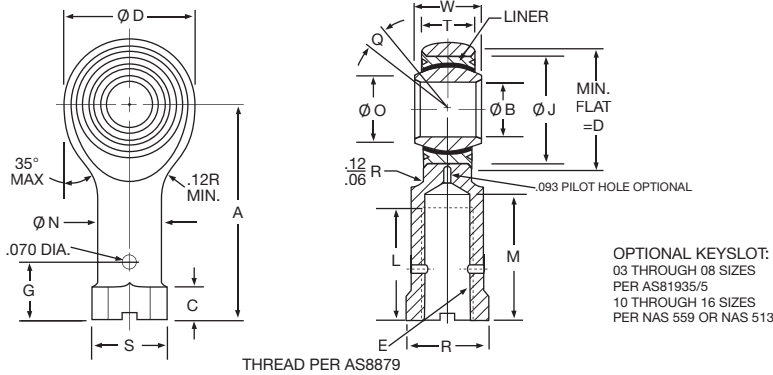


# ROD END BEARINGS – Self-Lubricating

## AS81935/5 Narrow – Female Thread



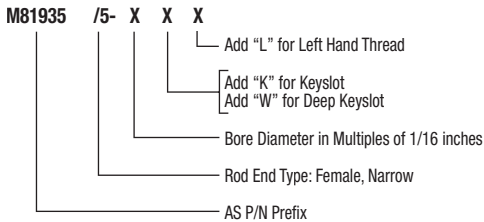
### Notes:

- Bearings listed in the tables are approved for procurement to AS81935.
- Temperature: Operating temperature range per AS81935; -65° to 325°F. Broader temperature capabilities are achievable.

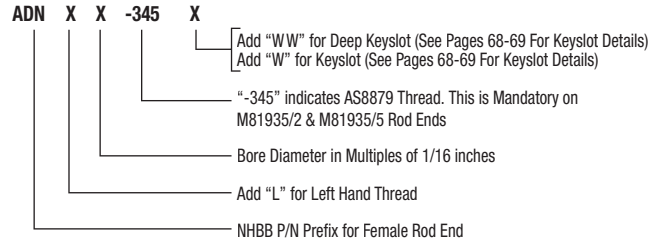
△ For keyslot details, refer to the engineering section, pages 68-69.

Part Number	MS Dash No.	(B) Bore Diameter	(D) Head Diameter	(W) Ball Width	(T) Body Width	(O) Shoulder Diameter	Ball Diameter	(A) Ball C/L to End	(E) Thread Size	(L) Complete Thread	(N) Shank Diameter	(M) Drill Depth	(C) Flange Thickness	(R) Wrench Flat	(S) Corners or Diam.	(G) Drill C/L to End	(J) Housing I.D.	(Q) Mis-alignment
<b>M81935/5</b>		Inch +.0000 -.0005	Inch +.010 -.010	Inch +.000 -.002	Inch +.005 -.005	Inch Min.	Inch Ref.	Inch +.010 -.010	UNJF-3B	Inch Min.	Inch +.010 -.010	Inch Max.	Inch +.010 -.062	Inch +.002 -.010	Inch Ref.	Inch +.020 -.020	Inch Max.	Ref.
ADN3-345	-03	.1900	.680	.281	.228	.293	.406	1.210	1/4-28	.625	.329	.750	.188	.375	.430	.312	.5625	10°
ADN4-345	-04	.2500	.827	.343	.260	.364	.500	1.338	1/4-28	.625	.329	.750	.188	.375	.430	.312	.6562	10°
ADN5-345	-05	.3125	.984	.375	.291	.419	.562	1.566	5/16-24	.750	.413	.875	.188	.437	.500	.375	.7500	10°
ADN6-345	-06	.3750	1.131	.406	.322	.475	.656	1.908	3/8-24	1.000	.501	1.125	.250	.625	.720	.437	.8125	9°
ADN7-345	-07	.4375	1.294	.437	.353	.530	.718	2.125	7/16-20	1.125	.584	1.250	.250	.625	.720	.500	.9062	8°
ADN8-345	-08	.5000	1.459	.500	.400	.600	.813	2.356	1/2-20	1.250	.672	1.375	.375	.875	1.020	.562	1.0000	8°
ADN10-345	-10	.6250	1.763	.625	.510	.739	.968	2.707	5/8-18	1.375	.845	1.500	.375	.875	1.020	.687	1.1875	8°
ADN12-345	-12	.7500	2.140	.750	.603	.920	1.187	3.193	3/4-16	1.625	1.017	1.750	.500	1.125	1.300	.812	1.4375	8°
ADN14-345	-14	.8750	2.372	.875	.713	.980	1.312	3.677	7/8-14	1.875	1.187	2.062	.500	1.250	1.375	.937	1.5625	8°
ADN16-345	-16	1.0000	2.681	1.000	.807	1.118	1.500	4.101	1-12	2.125	1.356	2.312	.500	1.375	1.590	1.062	1.7500	9°

### Aerospace Standard P/N - Narrow



### NHBB P/N - Narrow



### Materials

Part No.	Ball	Race	Liner	Body
Catalog No.	CRES 440C AMS 5630 Rc55-62	CRES 17-4PH AMS 5643 Rc28-37	PTFE/Fabric Bonded to Race I.D. No Lub. Required	4340 Alloy Steel, AMS6415 Rc39-42 Cadmium Plated††
Catalog No. + CR†	CRES 440C AMS 5630 Rc55-62	CRES 17-4PH AMS 5643 Rc28-37	PTFE/Fabric Bonded to Race I.D. No Lub. Required	CRES 17-4PH AMS 5643 Rc39-44 Passivated

†† Body Cadmium plated per AMS-QQ-P-416, Type II, CL. 2 on all surfaces including body bore.  
† Stainless Steel Series is not available to Aerospace Standard, but may be ordered to NHBB Part Number as indicated. Example: ADN4CRJ or ADN4-345CR

### Performance Properties – Narrow

MS Dash No.	No Load Rotational Breakaway Torque	Ultimate Static Radial Load	Axial Static Proof Load	Fatigue Load	Approx. Weight	
						In-lbs.
M81935/5						
ADN3-345	-03	0.5-6.0	3000	150	1100	.044
ADN4-345	-04	0.5-6.0	5500	430	1300	.052
ADN5-345	-05	1.0-15.0	8900	700	2000	.087
ADN6-345	-06	1.0-15.0	13400	1100	3100	.137
ADN7-345	-07	1.0-15.0	18200	1400	4200	.193
ADN8-345	-08	1.0-15.0	24600	2040	5700	.279
ADN10-345	-10	1.0-15.0	39500	2430	9200	.504
ADN12-345	-12	1.0-15.0	57200	2940	13500	.860
ADN14-345	-14	1.0-24.0	77800	3100	18400	1.266
ADN16-345	-16	1.0-24.0	101100	3570	24000	1.814