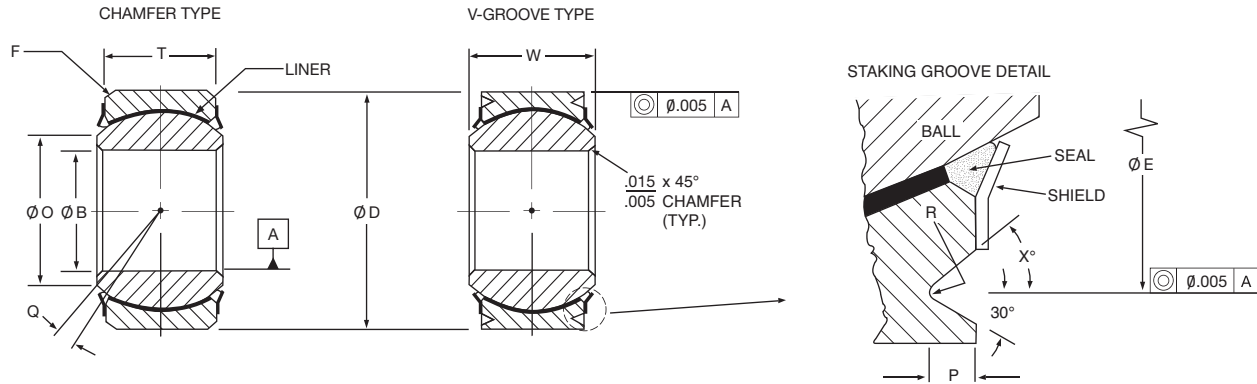


Sealed Wide



Part Number V-Grooved*	(B)	(D)	(W)	(T)	(O)	Ball Diameter	(F)	(Q)	(E)	(P)	(R)	(X)	No Load Rotational Breakaway Torque	Limit Static Radial Load	Limit Static Axial Load	Dynamic Osc. Radial Load	Weight
	Bore Diameter	Outside Diameter	Ball Width	Race Width	Shoulder Diameter		Race Chamfered x 45°	Mis-alignment	Pitch Diam.	Staking Groove Data							
	Inch	Inch	Inch	Inch	Inch	Inch	Inch	Min.	Inch	Inch	Inch		Inch - lbs.	lbs.	lbs.	lbs.	lbs.
	+ .0000	+ .0000	+ .000	± .005	Min.	Ref.	+ .000		+ .000	+ .000							Ref.
	- .0005	- .0005	- .002				- .010		- .010	- .015							
ADW3VN(L)	.1900	.6250	.437	.327	.300	.531	.025	7.5°	.565	.030	.005-.015	20° min.	0.25-8.0	2500	1770	4900	.031
ADW4VN(L)	.2500	.6250	.437	.327	.300	.531	.025	7.5°	.565	.030	.005-.015	20° min.	0.25-8.0	5500	1770	4900	.031
ADW5VN(L)	.3125	.6875	.437	.317	.360	.593	.025	7°	.627	.030	.005-.015	30°	1.0-20.0	9400	1640	6050	.035
ADW6VN(L)	.3750	.8125	.500	.406	.466	.687	.030	4°	.714	.040	.010-.020	30°	1.0-20.0	13700	2630	8310	.060
ADW7VN(L)	.4375	.9375	.562	.442	.537	.781	.030	5°	.839	.040	.010-.020	30°	1.0-20.0	20700	3650	11750	.080
ADW7V52N(L)	.4375	.9062	.562	.442	.537	.781	—	5°	.808	.040	.010-.020	30°	1.0-20.0	19700	3650	11750	.080
ADW8VN(L)	.5000	1.0000	.625	.505	.607	.875	.030	4.5°	.902	.040	.010-.020	30°	1.0-20.0	21400	4970	14950	.100
ADW9VN(L)	.5625	1.1250	.687	.536	.721	1.000	.030	5°	1.027	.040	.010-.020	30°	1.0-20.0	26600	5370	18100	.135
ADW10VN(L)	.6250	1.1875	.750	.567	.747	1.062	.030	6°	1.089	.040	.010-.020	30°	1.0-20.0	29000	6130	20250	.160
ADW12VN(L)	.7500	1.3750	.875	.630	.845	1.250	.040	7.5°	1.253	.060	.010-.020	30°	1.0-20.0	37000	7730	26200	.240
ADW14VN(L)	.8750	1.6250	.875	.755	.995	1.375	.040	3°	1.503	.060	.010-.020	30°	1.0-30.0	65200	10800	33600	.350
ADW16VN(L)	1.0000	2.1250	1.375	1.005	1.269	1.875	.040	6°	2.003	.060	.010-.020	30°	1.0-30.0	104000	19300	56250	.970
ADW18VN(L)	1.1250	2.2500	1.437	1.067	1.338	1.968	.040	7°	2.128	.060	.010-.020	30°	1.0-30.0	142570	19640	57000	1.000
ADW20VN(L)	1.2500	2.3750	1.500	1.130	1.460	2.093	.040	6.5°	2.253	.060	.010-.020	30°	1.0-30.0	159200	21970	63680	1.120
ADW20-5VN(L)	1.2500	2.0000	1.093	.942	1.406	1.781	.040	3°	1.878	.060	.010-.020	30°	1.0-30.0	112360	14890	44940	.564
ADW22VN(L)	1.3750	2.5625	1.687	1.223	1.535	2.281	.040	7.5°	2.440	.060	.010-.020	30°	1.0-30.0	190000	25970	76000	1.390
ADW24VN(L)	1.5000	2.6875	1.687	1.223	1.693	2.390	.040	7°	2.567	.060	.010-.020	30°	1.0-30.0	199000	25970	79640	1.480

*For chamfered version, delete 'V' from part number.

Notes:

- For more information on sealed bearings, see page 70.
- Temperature: Operating temperature range -65° to 325°F. Broader temperature capabilities are achievable.
- Options: Bearings with PH13-8Mo balls will be designated by "13-8" suffix (Example: ADB16VN13-8(L)). For outside race diameter with cadmium plate per AMS-QQ-P-416, Type II, Class 2, add suffix "P" (Example: ADW16VNP(L)).
- Qualification: Liner approved to AS81820.

Materials

Part No.	Ball	Race	Liner
Catalog No.	CRES 440C AMS 5630 Rc55-62	CRES 17-4PH AMS 5643 Rc28-37	PTFE/Fabric Bonded to Race I.D. No Lub. Required
Catalog No. + 13-8	CRES PH13-8Mo AMS 5629 Rc43-47	CRES 17-4PH AMS 5643 Rc28-37	PTFE/Fabric Bonded to Race I.D. No Lub. Required