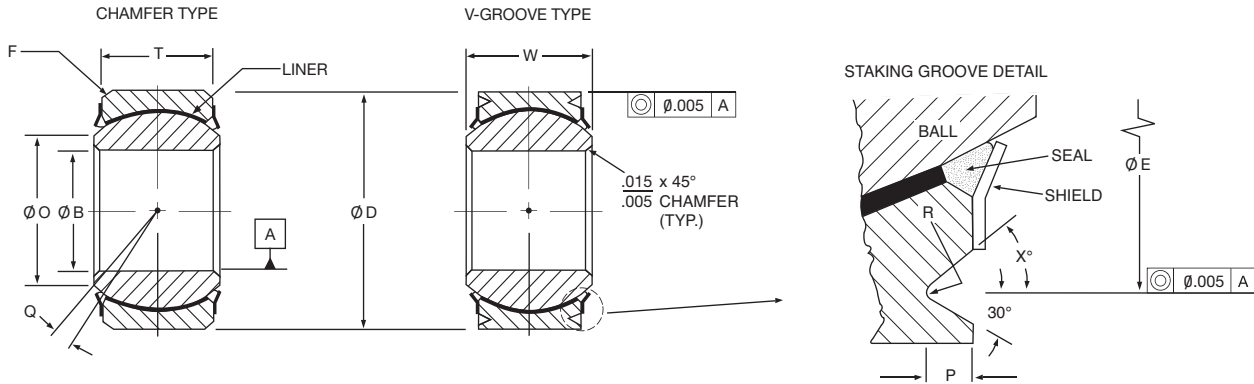


SPHERICAL BEARINGS – Self-Lubricating

Sealed Narrow



Part Number V-Grooved*	(B)	(D)	(W)	(T)	(O)	Ball Diameter	(F)	(Q)	(E)	(P)	(R)	(X)	No Load Rotational Breakaway Torque	Limit Static Radial Load	Limit Static Axial Load	Dynamic Osc. Radial Load	Weight
	Bore Diameter	Outside Diameter	Ball Width	Race Width	Shoulder Diameter		Race Chamfered x45°	Mis-alignment	Pitch Diam.	Staking Groove Data							
	Inch	Inch	Inch	Inch	Inch	Inch	Inch	Min.	Inch	Inch	Inch		Inch - lbs.	lbs.	lbs.	lbs.	lbs.
	+ .0000 - .0005	+ .0000 - .0005	+ .000 - .002	± .005	Min.	Ref.	+ .000 - .010		+ .000 - .010	+ .000 - .015							
ADB3VN(L)	.1900	.5625	.281	.218	.293	.406	.020	5°	.502	.030	.005-.010	20° min.	0.25-8.0	3975	150	1500	.020
ADB4VN(L)	.2500	.6562	.343	.250	.364	.500	.020	5°	.596	.030	.005-.010	20° min.	0.25-8.0	6040	430	3320	.020
ADB5VN(L)	.3125	.7500	.375	.281	.419	.562	.020	5°	.652	.040	.005-.010	30°	1.0-20.0	8750	700	5460	.030
ADB5VAN(L)	.3125	.7500	.375	.281	.419	.562	—	5°	.662	.040	.005-.010	20°	1.0-20.0	8750	700	5460	.030
ADB6VN(L)	.3750	.8125	.406	.312	.475	.656	.030	4.5°	.714	.040	.010-.020	30°	1.0-20.0	10540	1100	6600	.040
ADB7VN(L)	.4375	.9062	.437	.343	.530	.718	.030	4°	.808	.040	.010-.020	30°	1.0-20.0	13200	1400	8050	.050
ADB8VN(L)	.5000	1.0000	.500	.390	.600	.813	.030	4°	.878	.060	.010-.020	30°	1.0-20.0	17900	2100	10400	.070
ADB9VN(L)	.5625	1.0937	.562	.437	.670	.875	.030	4°	.972	.060	.010-.020	30°	1.0-20.0	23200	3680	13000	.090
ADB10VN(L)	.6250	1.1875	.625	.500	.739	.968	.030	4°	1.065	.060	.010-.020	30°	1.0-20.0	30500	4720	16450	.120
ADB12VN(L)	.7500	1.4375	.750	.593	.920	1.187	.040	4°	1.315	.060	.010-.020	30°	1.0-20.0	46400	6750	23600	.210
ADB14VN(L)	.8750	1.5625	.875	.703	.980	1.312	.040	4°	1.440	.060	.010-.020	30°	1.0-30.0	62200	9350	30250	.270
ADB16VN(L)	1.0000	1.7500	1.000	.797	1.118	1.500	.040	4.5°	1.628	.060	.010-.020	30°	1.0-30.0	82200	12160	38000	.390
ADB18VN(L)	1.1250	2.1250	1.125	.900	1.334	1.750	.040	4°	2.003	.060	.010-.020	30°	1.0-30.0	105880	13500	42350	.720
ADB20VN(L)	1.2500	2.3125	1.250	1.000	1.473	1.937	.040	4°	2.190	.060	.010-.020	30°	1.0-30.0	131230	16930	52490	.930
ADB22VN(L)	1.3750	2.5625	1.375	1.100	1.654	2.156	.040	4°	2.440	.060	.010-.020	30°	1.0-30.0	161700	20750	64680	1.280
ADB24VN(L)	1.5000	2.8125	1.500	1.200	1.794	2.344	.040	4°	2.690	.060	.010-.020	30°	1.0-30.0	192780	24950	77110	1.670

*For chamfered version, delete 'V' from part number.

Notes:

- For more information on sealed bearings, see page 70.
- Temperature: Operating temperature range -65° to 325°F. Broader temperature capabilities are achievable.
- Options: Bearings with PH13-8Mo balls will be designated by "13-8" suffix (Example: ADB16VN13-8(L)). For outside race diameter with cadmium plate per AMS-QQ-P-416, Type II, Class 2, add suffix "P" (Example: ADW16VNP(L)).
- Qualification: Liner approved to AS81820.

Materials

Part No.	Ball	Race	Liner
Catalog No.	CRES 440C AMS 5630 Rc55-62	CRES 17-4PH AMS 5643 Rc28-37	PTFE/Fabric Bonded to Race I.D. No Lub. Required
Catalog No. + 13-8	CRES PH13-8Mo AMS 5629 Rc43-47	CRES 17-4PH AMS 5643 Rc28-37	PTFE/Fabric Bonded to Race I.D. No Lub. Required