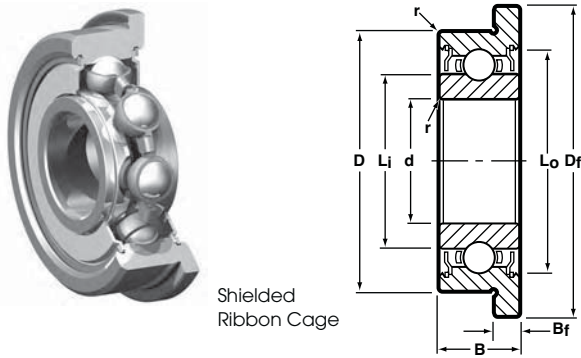
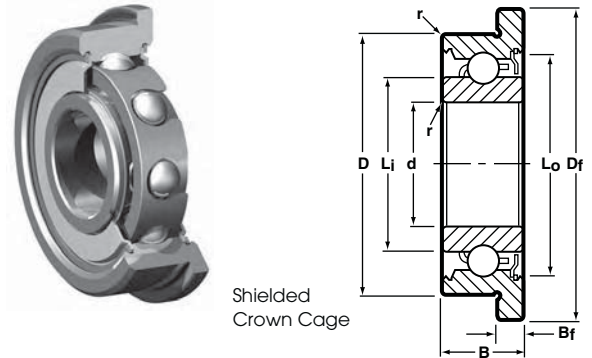




Radial, Shielded, Flanged



Shielded Ribbon Cage



Shielded Crown Cage

BASIC P/N	STANDARD CAGE AVAILABILITY*		BORE d		O.D. D		WIDTH B 1 or 2 SHIELDS		FLANGE DIA. D <sub>f</sub>	FLANGE WIDTH B <sub>f</sub>	LAND DIAMETER (REFERENCE)		FILLET RADIUS r	BALL COMPLEMENT		LOAD RATINGS**		BRG. WGT. GMS. ▼
	RIBBON	CROWN	INCH	(mm) ◊	INCH	(mm) ◊	INCH	(mm) ◊			L <sub>i</sub>	L <sub>o</sub>		NO. Z	SIZE D <sub>b</sub>	DYN. C	STATIC C <sub>0</sub>	
SSRIF-2 1/2ZZ		H	.0469	1.191	.1562	3.967	.0937	2.380	.203	.031	.081	.134	.003	6	1/32	16	5	.19
SSRIF-3ZZ		H	.0550	1.397	.1875	4.763	.1094	2.779	.234	.031	.093	.167	.003	5	3/64	28	10	.25
SSRIF-4ZZ		H	.0781	1.984	.2500	6.350	.1406	3.571	.296	.031	.122	.205	.003	6	3/64	35	12	.60
SSRIF-3332ZZ		H	.0937	2.380	.1875	4.763	.0937	2.380	.234	.031	.118	.167	.003	7	1/32	19	6	.14
SSRIF-3332ZZ	R		.0937	2.380	.1875	4.763	.0937	2.380	.234	.031	.118	.167	.003	8	1/32	21	8	.14
SSRIF-5ZZ	R	H	.0937	2.380	.3125	7.938	.1406	3.571	.359	.031	.173	.282	.003	6	1/16	60	22	.90
SSRIF-418ZZ		H	.1250	3.175	.2500	6.350	.1094	2.779	.296	.031	.161	.228	.003	7	.0394	30	11	.40
SSRIF-418ZZ	R		.1250	3.175	.2500	6.350	.1094	2.779	.296	.031	.161	.228	.003	8	.0394	33	12	.40
SSRIF-518ZZ	R	H	.1250	3.175	.3125	7.938	.1406	3.571	.359	.031	.173	.282	.003	6	1/16	60	22	.75
SSRIF-618ZZ	R	H	.1250	3.175	.3750	9.525	.1406	3.571	.422	.031	.173	.282	.005	6	1/16	60	22	1.40
SSRF-2ZZ	R	H	.1250	3.175	.3750	9.525	.1562	3.967	.440	.030	.200	.321	.012	7	1/16	66	26	1.40
SSRIF-5532ZZ		H	.1562	3.967	.3125	7.938	.1250	3.175	.359	.036	.221	.285	.003	7	3/64	41	15	.75
SSRIF-5532ZZ	R		.1562	3.967	.3125	7.938	.1250	3.175	.359	.036	.221	.285	.003	8	3/64	45	17	.75
SSRIF-5632ZZ		H	.1875	4.763	.3125	7.938	.1250	3.175	.359	.036	.221	.287	.003	7	3/64	41	15	.60
SSRIF-5632ZZ	R		.1875	4.763	.3125	7.938	.1250	3.175	.359	.036	.221	.287	.003	8	3/64	45	17	.60
SSRIF-6632ZZ	R	H	.1875	4.763	.3750	9.525	.1250	3.175	.422	.031	.235	.341	.003	8	1/16	76	31	.95
SSRF-3ZZ	R	H	.1875	4.763	.5000	12.700	.1960	4.978	.565	.042	.276	.435	.012	7	3/32	140	59	2.90
SSRIF-614ZZ		H	.2500	6.350	.3750	9.525	.1250	3.175	.422	.036	.285	.348	.003	13	.0394	43	21	.75
SSRIF-814ZZ	R	H	.2500	6.350	.5000	12.700	.1875	4.763	.547	.045	.330	.455	.005	10	1/16	88	40	2.20
SSRF-4ZZ	R	H	.2500	6.350	.6250	15.875	.1960	4.978	.690	.042	.364	.544	.012	8	3/32	159	70	4.60
SSRIF-8516ZZ	R		.3125	7.938	.5000	12.700	.1562	3.967	.547	.031	.362	.460	.005	11	1/16	93	43	1.80
SSRIF-1438ZZ	R		.3750	9.525	.8750	22.225	.2812	7.142	.969	.062	.474	.783	.016	7	5/32	569	273	12.00
SSRIF-1812ZZ	R		.5000	12.700	1.1250	28.575	.3125	7.938	1.225	.062	.628	.965	.016	9	5/32	684	344	22.00

Notes:

- Inch to metric conversion—see page 63.
  - Basic part numbers shown above include code "SS" for AISI 440C stainless steel. If SAE 52100 chrome alloy steel is desired delete SS.
  - See page 61 for ABEC tolerances.
  - r=Maximum shaft or housing fillet radius that bearing corners will clear.
  - For single shield eliminate one "Z" from the basic part number.
- \* "R" Ribbon or "H" Crown cages are available as indicated. Please consult with factory for machined cage availability.
  - ◊ Metric dimensions are for reference only.
  - \*\* Load ratings are based on ABMA Standard #12.
  - ▼ Bearing weights are for reference only.