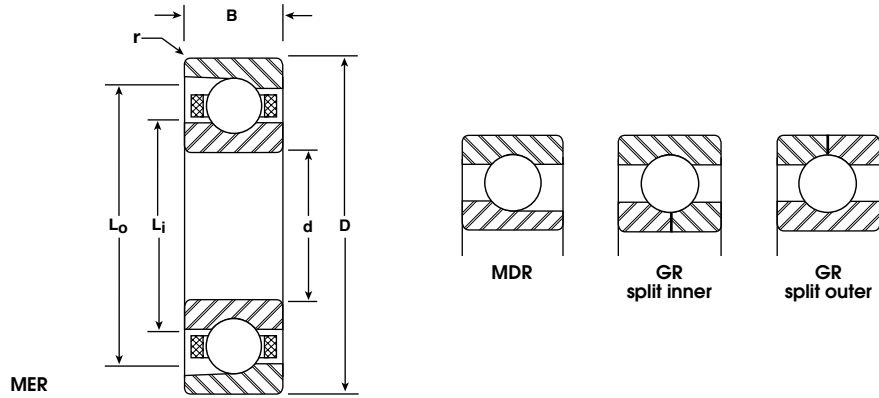
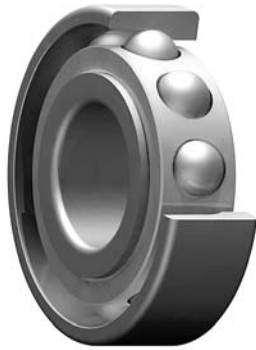


Metric Series

Angular Contact

Bore Sizes 140-200 mm



BASIC P/N	BORE d		O.D. D		WIDTH B		LAND DIAMETER (REFERENCE)		FILLET RADIUS r	BALL COMPLEMENT		LOAD RATINGS LBS	
	mm	INCH	mm	INCH	mm	INCH	Li	Lo		NO.	SIZE	DYN. C	STATIC Co
							INCH	INCH	INCH		INCH		
MER-1828	140	5.5118	175	6.8898	18	.7087	5.956	6.445	.039	35	13/32	10300	13200
MER-1928	140	5.5118	190	7.4803	24	.9449	5.923	6.675	.059	29	5/8	22000	26700
MER-128	140	5.5118	210	8.2677	33	1.2992	6.363	7.416	.079	22	7/8	35100	38100
MER-228	140	5.5118	250	9.8425	42	1.6535	6.887	8.466	.098	16	1-5/16	61000	58500
MER-1830	150	5.9055	190	7.4803	20	.7874	6.429	6.956	.039	35	7/16	11800	15300
MER-1930	150	5.9055	210	8.2677	28	1.1024	6.635	7.537	.079	26	3/4	28900	34200
MER-130	150	5.9055	225	8.8583	35	1.3780	6.855	7.908	.079	23	7/8	35800	40400
MER-1832	160	6.2992	200	7.8740	20	.7874	6.823	7.349	.039	37	7/16	12100	16100
MER-1932	160	6.2992	220	8.6614	28	1.1024	7.029	7.931	.079	27	3/4	29300	35800
MER-132	160	6.2992	240	9.4488	38	1.4961	7.272	8.475	.079	22	1	44700	49900
MER-1834	170	6.6929	215	8.4646	22	.8661	7.277	7.879	.039	35	1/2	15100	20000
MER-1934	170	6.6929	230	9.0551	28	1.1024	7.422	8.325	.079	29	3/4	30300	38700
MER-134	170	6.6929	260	10.2360	42	1.6535	7.787	9.141	.079	21	1-1/8	54000	59800
MER-1836	180	7.0866	225	8.8583	22	.8661	7.671	8.273	.039	37	1/2	15500	21100
MER-1936	180	7.0866	250	9.8425	33	1.2992	7.938	8.991	.079	27	7/8	39000	48500
MER-136	180	7.0866	280	11.0240	46	1.8110	8.378	9.732	.079	22	1-1/8	55100	63500
MER-1838	190	7.4803	240	9.4488	24	.9449	8.126	8.803	.059	36	9/16	19100	26200
MER-1938	190	7.4803	260	10.2360	33	1.2992	8.331	9.384	.079	28	7/8	39500	50600
MER-138	190	7.4803	290	11.4173	46	1.8110	8.734	10.163	.079	22	1-3/16	60800	70600
MER-1840	200	7.8740	250	9.8425	24	.9449	8.519	9.196	.059	37	9/16	19200	26800
MER-1940	200	7.8740	280	11.0240	38	1.4961	8.847	10.050	.079	26	1	48600	60800

Notes:

1. Metric series angular contact ball bearings are typically manufactured from 52100 chrome steel to ABEC 3, 5 and 7 tolerances per ABMA Standard 20.
2. Standard contact angles are 15° and 25°. Other options are available.
3. Part numbers listed are with nonseparable, outer ring relieved configuration. Other design options are available.
4. Fillet Radius (r) is the maximum shaft or housing fillet radius that bearing corners will clear.