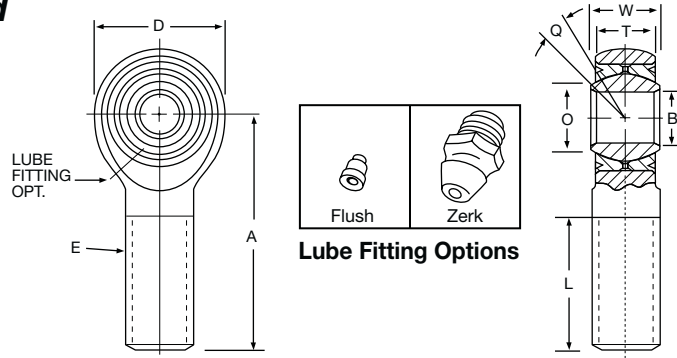


ROD END BEARINGS – Metal-to-Metal

3-Piece Male Thread



Part Number	(B) Bore Diameter	(D) Head Diameter	(W) Ball Width	(T) Body Width	(O) Shoulder Diameter	Ball Diameter	(Q) Misalignment	(A) Ball C/L to End	(E) Thread Size	(L) Thread Length	Ultimate Static Radial Load*	Weight
	Inch +.0000 -.0005	Inch Max.	Inch +.000 -.005	Inch +.005 -.005	Inch Ref.	Inch Ref.	Ref.	Inch +.06 -.06	UNF - 3A	Inch +.06 -.06	lbs.	lbs. Ref.
AB3E101	.1900	.875	.500	.337	.318	.593	23°	1.812	3/8 - 24	1.062	6840	.09
AB3E	.1900	.781	.437	.337	.301	.531	16°	1.562	5/16 - 24	1.000	5170	.07
AB4E101	.2500	.875	.500	.327	.318	.593	23°	1.812	3/8 - 24	1.062	6840	.09
AB4E	.2500	.781	.437	.337	.301	.531	16°	1.562	5/16 - 24	1.000	5170	.07
ARB4E	.2500	.750	.375	.281	.376	.531	13°	1.562	5/16 - 24	1.000	4550	.06
AB5E	.3125	.875	.437	.327	.402	.593	14°	1.875	5/16 - 24	1.062	6840	.08
ARB5E	.3125	.875	.437	.344	.402	.593	12°	1.875	3/8 - 24	1.250	6940	.09
AB6E101	.3750	1.312	.812	.577	.468	.937	22°	2.531	7/16 - 20	1.500	15150	.28
AB6E	.3750	1.000	.500	.406	.472	.687	10° 30'	1.938	3/8 - 24	1.250	9540	.12
ARB6E	.3750	1.000	.500	.406	.472	.687	10° 30'	1.938	7/16 - 20	1.250	9540	.13
AB7E	.4375	1.125	.562	.442	.544	.781	11° 30'	2.125	7/16 - 20	1.375	10430	.17
ARB7E	.4375	1.125	.562	.437	.544	.781	12°	2.125	1/2 - 20	1.375	10350	.19
AB8E	.5000	1.312	.625	.515	.614	.875	9° 30'	2.438	1/2 - 20	1.500	18620	.28
ARB8E	.5000	1.312	.625	.500	.614	.875	10° 30'	2.438	5/8 - 18	1.500	18210	.30
AB10E	.6250	1.500	.750	.567	.752	1.062	12° 30'	2.625	5/8 - 18	1.625	20030	.41
ARB10E	.6250	1.500	.750	.562	.752	1.062	13°	2.625	3/4 - 16	1.625	19890	.47
AB12E	.7500	1.750	.875	.640	.894	1.250	13° 30'	2.875	3/4 - 16	1.750	28200	.63
ARB12E	.7500	1.750	.875	.687	.894	1.250	11°	2.875	7/8 - 14	1.750	29740	.70
AB14E	.8750	2.000	.875	.750	1.060	1.375	7°	3.375	7/8 - 14	1.875	42390	.90
ARB14E	.8750	2.000	.875	.765	1.062	1.375	6°	3.375	1 - 12	1.875	43040	1.07
AB16E	1.0000	2.750	1.375	1.000	1.275	1.875	15°	4.125	1 1/4 - 12	2.125	77500	2.50
ARB16E	1.0000	2.750	1.375	1.015	1.275	1.875	14° 30'	4.124	1 1/4 - 12	2.125	78410	2.50
AB20E	1.2500	2.875	1.500	1.140	1.460	2.093	12°	5.000	1 1/2 - 12	3.125	66620	3.10
ARB20E	1.2500	2.875	1.500	1.250	1.460	2.093	7° 30'	5.000	1 1/2 - 12	3.125	86380	3.80

* Load ratings are for rod ends without lubricators.

Notes:

- Radial Clearance: .002 max.
- † Plating: When specified in materials block, ball spherical diameter and ends are hard chrome plated per AMS-QQ-C-320, CL. 2 (.0002 to .0005 thickness). All external surfaces of race and/or body are cadmium plated per AMS-QQ-P-416.
- Dimensions: All dimensions apply after plating.
- Options: Radial clearance, lubrication holes and groove in ball, lubrication fittings, dry film lubrication, keyways, left hand or AS8879 threads see page 39.

Materials

Part No.	Ball	Race	Body
Catalog No. †	52100 Alloy Steel, H.T., Chrome Plated Rc59-63	Aluminum Bronze (AMPCO® 15), Cadmium Plated	4130 Alloy Steel, H.T., Cadmium Plated
Catalog No. + S†	"	4130 Alloy Steel, H.T., Cadmium Plated	"
Catalog No. + SS†	"	CRES 17-4PH AMS5643	CRES 17-4PH AMS5643
Catalog No. + CR	CRES 440C AMS5630	"	"
Catalog No. + CRP†	CRES 440C, AMS5630 Chrome Plated	"	"

AMPCO® is a registered trademark of AMPCO Metal, Inc.