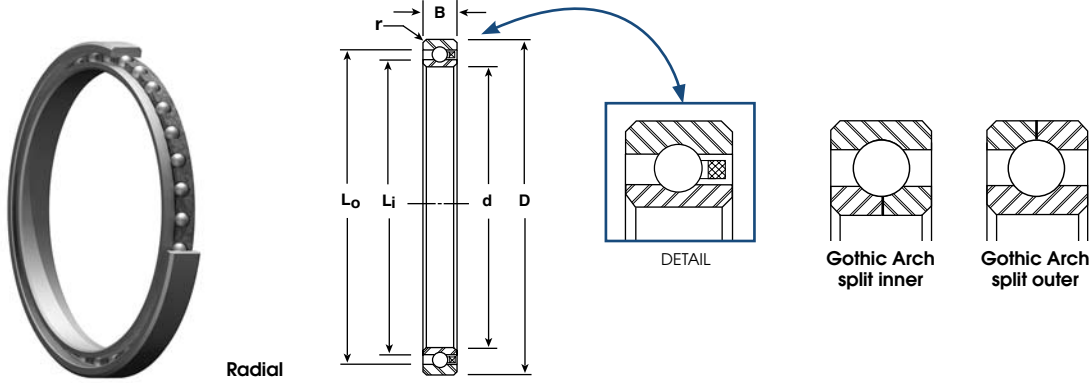




Inch Series

Thin Section – Radial and Gothic Arch

Bore Sizes .8750-4.2500 inches



REF.	BASIC P/N	BORE d INCH	O.D. D INCH	WIDTH B INCH	LAND DIAMETER (REFERENCE)		FILLET RADIUS r INCH	BALL COMPLEMENT		LOAD RATINGS (LBS)		
					Li INCH	Lo INCH		NO.	SIZE INCH	RADIAL CAPACITY		THRUST CAPACITY
					DYN. C	STATIC Co				STATIC		
1/8	RI-1878	.8750	1.1250	.1562	.961	1.049	.010	24	1/16	171	134	226
1/8	RI-2117	1.0625	1.3125	.1562	1.144	1.231	.010	28	1/16	182	159	267
1/8	RI-2420	1.2500	1.5000	.1562	1.320	1.402	.010	32	1/16	192	184	309
1/8	RI-2622	1.3750	1.6250	.1562	1.457	1.543	.010	36	1/16	203	208	350
1/8	RI-2824	1.5000	1.7500	.1562	1.584	1.666	.010	38	1/16	206	211	371
1/8	RI-3026	1.6250	1.8750	.1562	1.709	1.793	.010	42	1/16	216	245	412
1/4	RI-4032	2.0000	2.5000	.2500	2.325	2.174	.025	30	1/8	995	1096	951
5/16	RI-4232	2.0000	2.6250	.3125	2.375	2.406	.040	25	5/32	1132	1096	2413
1/4	RI-4840	2.5000	3.0000	.2500	2.674	2.825	.025	36	1/8	1069	1334	1074
5/16	RI-5040	2.5000	3.1250	.3125	2.731	2.893	.040	30	5/32	1125	1216	2335
1/4	RI-5648	3.0000	3.5000	.2500	3.174	3.326	.025	43	1/8	1153	1610	1237
5/16	RI-5848	3.0000	3.6250	.3125	3.234	3.391	.040	33	5/32	1245	1492	3284
3/8	RI-6048	3.0000	3.7500	.3750	3.281	3.469	.040	30	3/16	1688	1917	4098
1/4	RI-6052	3.2500	3.7500	.2500	3.437	3.567	.025	45	1/8	898	1228	2514
5/16	RI-6252	3.2500	3.8750	.3125	3.484	3.641	.040	36	5/32	1197	1485	2853
3/8	RI-6452	3.2500	4.0000	.3750	3.535	3.723	.040	32	3/16	1616	1899	3577
1/4	RI-6456	3.5000	4.0000	.2500	3.688	3.811	.025	49	1/8	934	1342	2747
5/16	RI-6656	3.5000	4.1250	.3125	3.730	3.894	.040	40	5/32	1262	1657	3273
3/8	RI-6856	3.5000	4.2500	.3750	3.718	3.907	.040	33	3/16	1622	1968	3799
1/4	RI-6860	3.7500	4.2500	.2500	3.937	4.063	.025	52	1/8	956	1429	2924
5/16	RI-7060	3.7500	4.3750	.3125	3.984	4.141	.040	42	5/32	1284	1747	3449
3/8	RI-7260	3.7500	4.5000	.3750	4.031	4.219	.040	35	3/16	1660	2096	4048
1/4	RI-7264	4.0000	4.5000	.2500	4.187	4.313	.025	55	1/8	723	964	3200
5/16	RI-7464	4.0000	4.6250	.3125	4.234	4.391	.040	45	5/32	1324	1877	3708
3/8	RI-7664	4.0000	4.7500	.3750	4.281	4.469	.040	36	3/16	1667	2164	4227
1/2	RI-8064	4.0000	5.0000	.5000	4.375	4.625	.060	28	1/4	2514	2920	5455
1/4	RI-7668	4.2500	4.7500	.2500	4.437	4.563	.025	57	1/8	987	1574	3324
5/16	RI-7868	4.2500	4.8750	.3125	4.484	4.641	.040	46	5/32	1325	1925	3801
3/8	RI-8068	4.2500	5.0000	.3750	4.531	4.719	.040	38	3/16	1936	2775	4477
1/2	RI-8468	4.2500	5.2500	.5000	4.625	4.875	.060	30	1/4	2597	3142	5983

Notes:

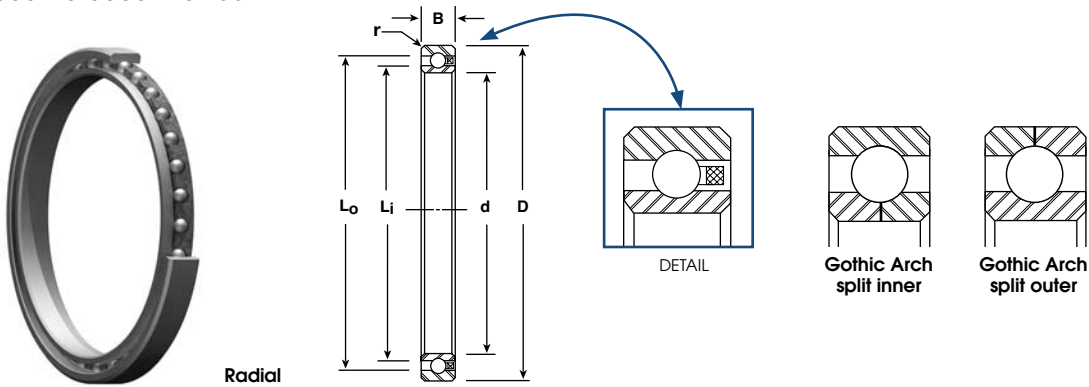
- Inch series thin section ball bearings are typically manufactured from 440C stainless steel.
 - Load ratings shown are for 52100 chrome steel.
 - NHBB typically manufactures thin section bearings to ABEC 5T and 7T tolerances per AMBA Standard 12 (bore diameters up to 1.6250 inches) and ABEC 5F and 7F tolerances per ABMA standard 26 (bore diameters above 1.6250 inches).
 - For gothic arch configuration, add a "G" prefix.
 - Fillet Radius (r) is the maximum shaft or housing fillet radius that bearing corners will clear.
 - Gothic arch bearings (4-point ball-to-race contact) provide for reduced internal free play in axial and radial directions.
 - Radial bearings accept moderate radial and thrust loads at lower speeds.
- Open width shown; shielded width is .1960 inches.



Inch Series

Thin Section – Radial and Gothic Arch

Bore Sizes 4.5000-10.0000 inches



REF.	BASIC P/N	BORE d INCH	O.D. D INCH	WIDTH B INCH	LAND DIAMETER (REFERENCE)		FILLET RADIUS r INCH	BALL COMPLEMENT		LOAD RATINGS (LBS)		
					Li INCH	L0 INCH		NO.	SIZE INCH	RADIAL CAPACITY		THRUST CAPACITY
					DYN. C	STATIC C0				STATIC		
1/4	RI-8072	4.5000	5.0000	.2500	4.687	4.813	.025	60	1/8	1008	1660	3506
5/16	RI-8272	4.5000	5.1250	.3125	4.734	4.891	.040	48	5/32	1345	2014	4080
3/8	RI-8472	4.5000	5.2500	.3750	4.781	4.969	.040	40	3/16	1740	2421	4836
1/2	RI-8872	4.5000	5.5000	.5000	4.875	5.125	.060	32	1/4	2676	3365	6408
1/4	RI-8476	4.7500	5.2500	.2500	4.937	5.063	.025	64	1/8	1035	1774	3857
5/16	RI-8676	4.7500	5.3750	.3125	4.984	5.141	.040	51	5/32	1382	2145	4346
3/8	RI-8876	4.7500	5.5000	.3750	5.031	5.219	.040	43	3/16	1797	2597	5213
1/2	RI-9276	4.7500	5.7500	.5000	5.125	5.375	.060	33	1/4	2702	3489	6632
1/4	RI-8880	5.0000	5.5000	.2500	5.197	5.319	.025	66	1/8	1047	1833	3870
5/16	RI-9080	5.0000	5.6250	.3125	5.234	5.391	.040	55	5/32	1436	2318	4696
3/8	RI-9280	5.0000	5.7500	.3750	5.281	5.469	.040	46	3/16	1864	2798	5591
1/2	RI-9680	5.0000	6.0000	.5000	5.375	5.625	.060	35	1/4	2774	3705	7058
5/16	RI-9888	5.5000	6.1250	.3125	5.734	5.891	.040	58	5/32	1459	2462	4971
3/8	RI-10088	5.5000	6.2500	.3750	5.781	5.969	.040	49	3/16	1901	2994	5982
1/2	RI-10488	5.5000	6.5000	.5000	5.875	6.125	.060	37	1/4	2816	3939	7505
5/16	RI-10696	6.0000	6.6250	.3125	6.234	6.391	.040	63	5/32	1510	2682	5416
3/8	RI-10896	6.0000	6.7500	.3750	6.281	6.469	.040	53	3/16	1962	3250	6494
1/2	RI-11296	6.0000	7.0000	.5000	6.375	6.625	.060	41	1/4	2955	7386	8357
5/16	RI-114104	6.5000	7.1250	.3125	6.734	6.891	.040	68	5/32	1559	2903	5891
3/8	RI-116104	6.5000	7.2500	.3750	6.781	6.969	.040	55	3/16	1973	3383	6760
1/2	RI-120104	6.5000	7.5000	.5000	6.875	7.125	.060	44	1/4	3041	4725	9006
3/8	RI-124112	7.0000	7.7500	.3750	7.281	7.469	.040	59	3/16	2032	3639	7272
1/2	RI-128112	7.0000	8.0000	.5000	7.375	7.625	.060	47	1/4	3123	5065	9655
3/8	RI-132120	7.5000	8.2500	.3750	7.781	7.969	.040	63	3/16	2105	3890	7783
1/2	RI-136120	7.5000	8.5000	.5000	7.875	8.125	.060	50	1/4	3202	5405	10303
3/8	RI-140128	8.0000	8.7500	.3750	8.281	8.469	.040	67	3/16	2147	4151	8295
1/2	RI-144128	8.0000	9.0000	.5000	8.375	8.625	.060	53	1/4	3278	5745	10952
1/2	RI-152136	8.5000	9.5000	.5000	8.875	9.125	.060	56	1/4	3352	6084	11600
1/2	RI-160144	9.0000	10.0000	.5000	9.375	9.469	.060	60	1/4	3463	6533	12456
1/2	RI-168152	9.5000	10.5000	.5000	9.875	10.125	.060	63	1/4	3531	6873	13105
1/2	RI-176160	10.0000	11.0000	.5000	10.375	10.625	.060	66	1/4	3598	7212	13754

Notes:

1. Inch series thin section ball bearings are typically manufactured from 440C stainless steel.
2. Load ratings shown are for 52100 chrome steel.
3. NHBB typically manufactures thin section bearings to ABEC 5T and 7T tolerances per AMBA Standard 12 (bore diameters up to 1.6250 inches) and ABEC 5F and 7F tolerances per ABMA standard 26 (bore diameters above 1.6250 inches).
4. For gothic arch configuration, add a "G" prefix.
5. Fillet Radius (r) is the maximum shaft or housing fillet radius that bearing corners will clear.
6. Gothic arch bearings (4-point ball-to-race contact) provide for reduced internal free play in axial and radial directions.
7. Radial bearings accept moderate radial and thrust loads at lower speeds.