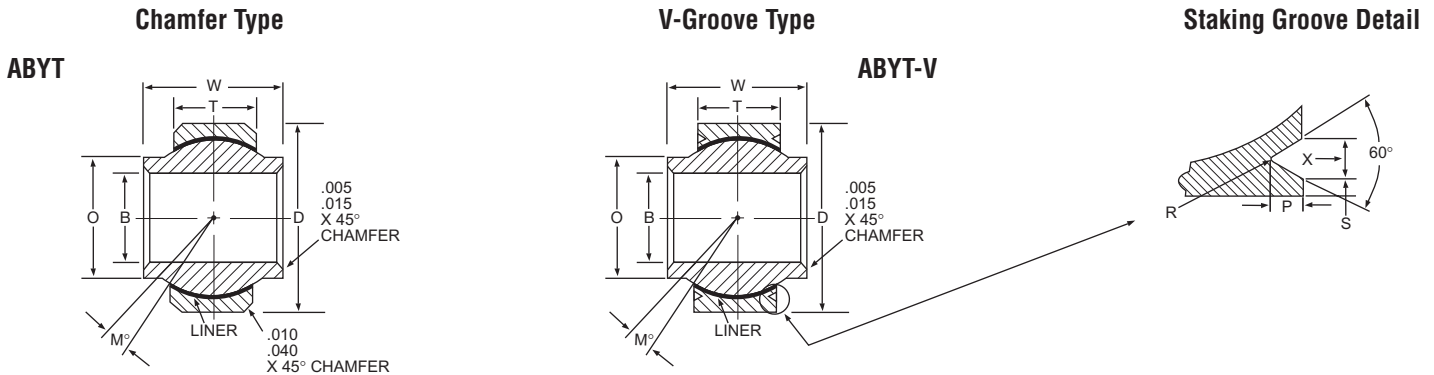




ABYT, ABYT-V

High Misalignment, TEFLON® Lined



BASIC P/N	(B)	(D)	(W)	(T)	(O)	(M°)	ULT. STATIC RADIAL LOAD LBS.	ULT. STATIC AXIAL LOAD LBS.	NO LOAD ROTATIONAL BREAKAWAY TORQUE IN./LB	APPROX. WEIGHT LBS
	BORE DIA. +.0000 -.0005	OUTSIDE DIA. +.0000 -.0005	BALL WIDTH +.000 -.002	RACE WIDTH +/- .005	SHOULDER DIA. REF.	MIS-ALIGN. MIN.				
ABYT3 ABYT3V	.1900	.5625	.500	.210	.319	15	6,120 [♦]	525	.5-5	.018
ABYT4 ABYT4V	.2500	.7400	.593	.255	.390	24	10,600 [♦]	675	1-5	.036
ABYT5 ABYT5V	.3125	.6875	.625	.255	.418	20	13,500	675	1-5	.025
ABYT6 ABYT6V	.3750	.9060	.813	.345	.512	23	24,000	3,000	1-5	.068
ABYT7 ABYT7V	.4375	1.0000	.875	.345	.618	22	28,950	3,000	1-5	.095
ABYT8 ABYT8V	.5000	1.1250	.937	.401	.730	20	39,150	4,800	1-5	.159
ABYT10 ABYT10V	.6250	1.3750	1.200	.567	.856	20	66,750	10,500	1-5	.245
ABYT12 ABYT12V	.7500	1.5625	1.280	.620	.970	18	82,200	13,050	1-5	.315
ABYT14 ABYT14V	.8750	1.7500	1.400	.625	1.140	18	98,700	13,275	2-8	.430
ABYT16 ABYT16V	1.0000	2.1250	1.875	.835	1.278	21	162,000	23,850	2-8	.831

♦ Based on pin limitation using 108 KSI shear strength pin.

Materials

DESIGNATION	BALL	LINER	RACE
ABYT ABYT-V	440C CRES heat treated	TEFLON® fabric permanently bonded to race I.D.	17-4PH CRES heat treated

Staking Groove Data

BORE SIZES	LAND (S) +.000/- .010	GROOVE (X) +.000/- .010	RAD.(R) +.000/- .010	DEPTH (P) +.000/- .015
3 thru 8	.020	.045	.015	.030
10	.030	.055	.020	.040
12 thru 16	.030	.080	.020	.060

TEFLON® is a Du Pont registered trademark