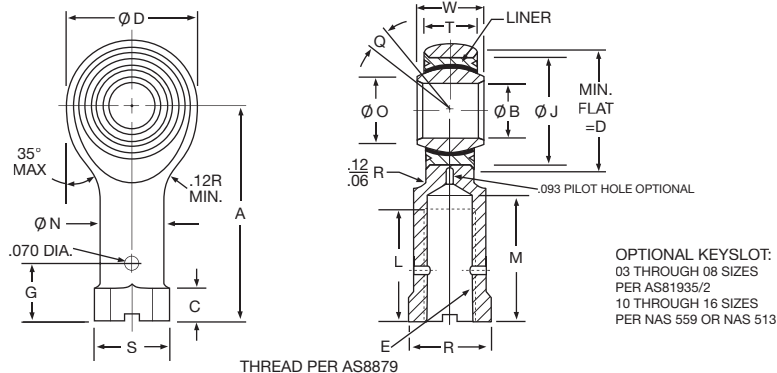


# AS81935/2 Wide – Female Thread



### Notes:

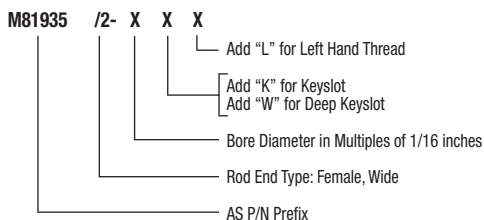
- Bearings listed in the tables are approved for procurement to AS81935.
- Temperature: Operating temperature range per AS81935; -65° to 325°F. Broader temperature capabilities are achievable.

Δ For keyslot details, refer to the engineering section, pages 68-69.

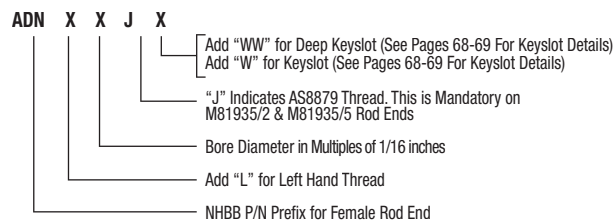
Part Number	MS Dash No.	(B) Bore Diameter	(D) Head Diameter	(W) Ball Width	(T) Body Width	(O) Shoulder Diameter	Ball Diameter	(A) Ball C/L to End	(E) Thread Size	(L) Complete Thread	(N) Shank Diameter	(M) Drill Depth	(C) Flange Thickness	(R) Wrench Flat	(S) Corners or Diam.	(G) Drill C/L to End	(J) Housing I.D.	(Q) Mis-alignment
		Inch +.0000 -.0005	Inch +.010 -.010	Inch +.000 -.002	Inch +.005 -.005	Inch Min.	Inch Ref.	Inch +.010 -.010		Inch Min.	Inch +.010 -.010	Inch Max.	Inch +.010 -.062	Inch +.002 -.010	Inch Ref.	Inch +.020 -.020	Inch Max.	Ref.
<b>M81935/2*</b>									UNJF-3B									
ADN3J	-03	.1900	.806	.437	.337	.300	.531	1.375	5/16-24	.750	.422	.875	.188	.437	.500	.375	.6250	15°
ADN4J	-04	.2500	.806	.437	.337	.300	.531	1.469	5/16-24	.750	.422	.875	.188	.437	.500	.375	.6250	15°
ADN5J	-05	.3125	.900	.437	.327	.360	.593	1.625	3/8-24	.875	.485	1.000	.250	.500	.580	.437	.6875	14°
ADN6J	-06	.3750	1.025	.500	.416	.470	.687	1.812	3/8-24	1.000	.547	1.125	.250	.562	.660	.437	.8125	8°
ADN7J	-07	.4375	1.150	.562	.452	.540	.781	2.000	7/16-20	1.125	.610	1.250	.250	.625	.720	.500	.9062	10°
ADN8J	-08	.5000	1.337	.625	.515	.610	.875	2.250	1/2-20	1.250	.735	1.375	.250	.750	.880	.562	1.0000	9°
ADN10J	-10	.6250	1.525	.750	.577	.750	1.062	2.500	5/8-18	1.375	.860	1.500	.375	.875	1.020	.687	1.1875	12°
ADN12J	-12	.7500	1.775	.875	.640	.850	1.250	2.875	3/4-16	1.625	.985	1.750	.375	1.000	1.160	.812	1.3750	13°
ADN14J	-14	.8750	2.025	.875	.765	1.000	1.375	3.375	7/8-14	1.875	1.110	2.062	.500	1.125	1.300	.937	1.6250	6°
ADN16J	-16	1.0000	2.775	1.375	1.015	1.270	1.875	4.125	1 1/4-12	2.125	1.688	2.312	.563	1.750	2.020	1.312	2.1250	12°

\* For rod ends with threads per MIL-S-7742 Rev. D (UNF-3B), omit "J" from part number.

### Aerospace Standard P/N - Wide



### NHBB P/N - Wide



### Materials

Part No.	Ball	Race	Liner	Body
Catalog No.	CRES 440C AMS 5630 Rc55-62	CRES 17-4PH AMS 5643 Rc28-37	PTFE/Fabric Bonded to Race I.D. No Lub. Required	4340 Alloy Steel, AMS6415 Rc39-42 Cadmium Plated††
Catalog No. + CR†	CRES 440C AMS 5630 Rc55-62	CRES 17-4PH AMS 5643 Rc28-37	PTFE/Fabric Bonded to Race I.D. No Lub. Required	CRES 17-4PH AMS 5643 Rc39-44 Passivated

†† Body Cadmium plated per AMS-QQ-P-416, Type II, CL. 2 on all surfaces including body bore.

† Stainless Steel Series is not available to Aerospace Standard, but may be ordered to NHBB Part Number as indicated. Example: ADN4CRJ or ADN4-345CR

### Performance Properties – Wide

MS Dash No.	No Load Rotational Breakaway Torque	Ultimate Static Radial Load	Axial Static Proof Load	Fatigue Load	Approx. Weight	
						In-lbs.
M81935/2*						
ADN3J	-03	0.5-6.0	2360	1000	1470	.080
ADN4J	-04	0.5-6.0	4860	1000	2380	.084
ADN5J	-05	1.0-15.0	7180	1100	3020	.102
ADN6J	-06	1.0-15.0	8550	1660	3570	.161
ADN7J	-07	1.0-15.0	12000	1850	4800	.212
ADN8J	-08	1.0-15.0	19500	2040	8260	.325
ADN10J	-10	1.0-15.0	21900	2430	9180	.481
ADN12J	-12	1.0-15.0	29300	2810	11600	.673
ADN14J	-14	1.0-24.0	34500	3320	13100	.959
ADN16J	-16	1.0-24.0	80300	4340	30400	2.717

\* For rod ends with threads per MIL-S-7742 Rev. D (UNF-3B), omit "J" from part number