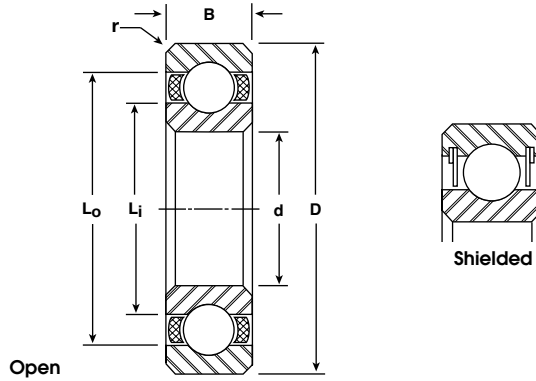




Inch Series

Radial

Bore Sizes .5000-1.5000 inches



BASIC P/N	BORE d		O.D. D		WIDTH B				LAND DIAMETER (REFERENCE)		FILLET RADIUS r	BALL COMPLEMENT		LOAD RATINGS (LBS)		
					OPEN		SHIELDED		Li	Lo		NO.	SIZE INCH	RADIAL CAPACITY DYN. C	STATIC Co	THRUST CAPACITY STATIC
	INCH	mm	INCH	mm	INCH	mm	INCH	mm	INCH	INCH	INCH					
RI-1812	.5000	12.700	1.1250	28.575	.2500	6.350	.3125	7.938	.701	.913	.016	9	5/32	861	434	290
RI-2258	.6250	15.875	1.3750	34.925	.2812	7.142	.3438	8.732	.852	1.132	.031	8	7/32	1518	747	617
RI-2634	.7500	19.050	1.6250	41.275	.3125	7.938	.4375	11.112	1.020	1.344	.031	8	1/4	1886	951	663
RI-3078	.8750	22.225	1.8750	47.625	.3750	9.525	.5000	12.700	1.266	1.567	.031	10	1/4	2255	1316	960
RI-3216	1.0000	25.400	2.0000	50.800	.3750	9.525	.5000	12.700	1.327	1.703	.031	9	5/16	3145	1763	1396
RI-3418	1.1250	28.575	2.1250	53.975	.3750	9.525	.5000	12.700	1.503	1.842	.031	11	9/32	2966	1857	1467
RI-3620	1.2500	31.750	2.2500	57.150	.3750	9.525	.5000	12.700	1.503	1.842	.031	11	9/32	2966	1857	1414
RI-4224	1.5000	38.100	2.6250	66.675	.4375	11.112	.5625	14.288	1.856	2.269	.031	11	11/32	4258	2786	2238

Notes:

1. Inch series radial ball bearings are typically manufactured from 440C stainless steel.
2. Load ratings shown are for 52100 chrome steel.
3. For part numbers -2258 and -2634, ABEC 3P, 5P and 7P per ABMA Standard 12 apply. For all others, ABEC 3, 5 and 7 per ABMA Standard 20 apply.
4. Fillet Radius (r) is the maximum shaft or housing fillet radius that bearing corners will clear.