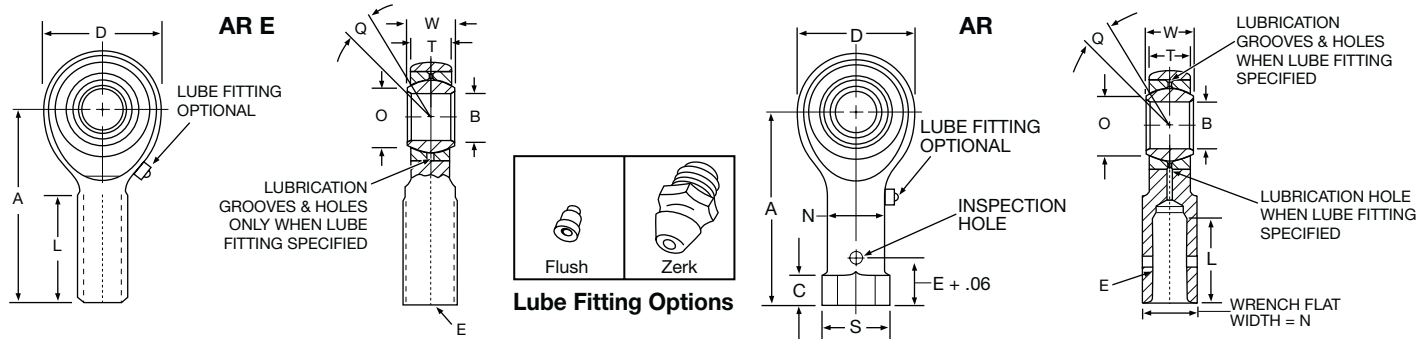




3-Piece Standard – Male & Female Threads



Part Number	(B)	(D)	(W)	(T)	(O)	Ball Diameter	(A)	(E)	(L)	(Q)	(N)	(S)	(C)	Static Radial Limit Load**		Weight
	Bore Diameter	Head Diameter	Ball Width	Body Width	Shoulder Diameter		Ball C/L to End	Thread Size	Thread Length	Misalignment	Shank Diameter	Flange Diameter	Flange Thickness	Steel Race	Bronze Race	
	Inch +.0015 -.0005	Inch +.010 -.010	Inch +.000 -.005	Inch +.005 -.005	Inch Ref.	Inch Ref.	Inch +.010 -.010	UNF - 3A* UNF - 3B*	Inch +.062 -.031		Inch + .010 -.010	Inch +.010 -.010	Inch +.010 -.062	lbs.	lbs.	lbs.
AR3E AR3	.1900	.806	.437	.337	.301	.531	1.562 1.375	5/16 - 24	.968 .750	16°	.422	.500	.188	4060 \diamond	4060 \diamond	.07 .08
AR4E AR4	.2500	.806	.437	.337	.301	.531	1.562 1.469	5/16 - 24	.968 .750	16°	.422	.500	.188	6060	6060	.07 .08
AR5E AR5	.3125	.900	.437	.327	.401	.593	1.875 1.625	5/16 - 24	1.187 .875	14°	.485	.580	.250	7290	7290	.08 .10
AR6E AR6	.3750	1.025	.500	.416	.471	.687	1.938 1.812	3/8 - 24	1.187 1.000	9°	.547	.660	.250	8860	8860	.13 .16
AR7E AR7	.4375	1.150	.562	.452	.542	.781	2.125 2.000	7/16 - 20	1.281 1.125	11°	.610	.720	.250	9560	9560	.18 .21
AR8E AR8	.5000	1.337	.625	.515	.612	.875	2.438 2.250	1/2 - 20	1.468 1.250	9°	.735	.880	.250	18560	18560	.27 .32
AR10E AR10	.6250	1.525	.750	.577	.752	1.062	2.625 2.500	5/8 - 18	1.562 1.375	12°	.860	1.020	.375	20610	20610	.42 .48
AR12E AR12	.7500	1.775	.875	.640	.892	1.250	2.875 2.875	3/4 - 16	1.687 1.625	14°	.985	1.160	.375	27640	27640	.63 .87
AR14E AR14	.8750	2.025	.875	.765	1.061	1.375	3.375 3.375	7/8 - 14	2.000 1.875	6°	1.110	1.300	.500	32140	32140	.96 .95
AR16E AR16	1.0000	2.775	1.375	1.015	1.275	1.875	4.125 4.125	1 1/4 - 12	2.343 2.125	14°	1.688	2.020	.563	72270	72270	2.54

* UNF-3A = Male Thread, UNF-3B = Female Thread, per MIL-S-7742 Rev. D.
 ** Load ratings are based on male rod ends without lubrication fitting.
 For rod end load ratings with lubrication fittings please contact NHBB engineering department.
 \diamond Load based on pin limitation.

NHBB P/N

