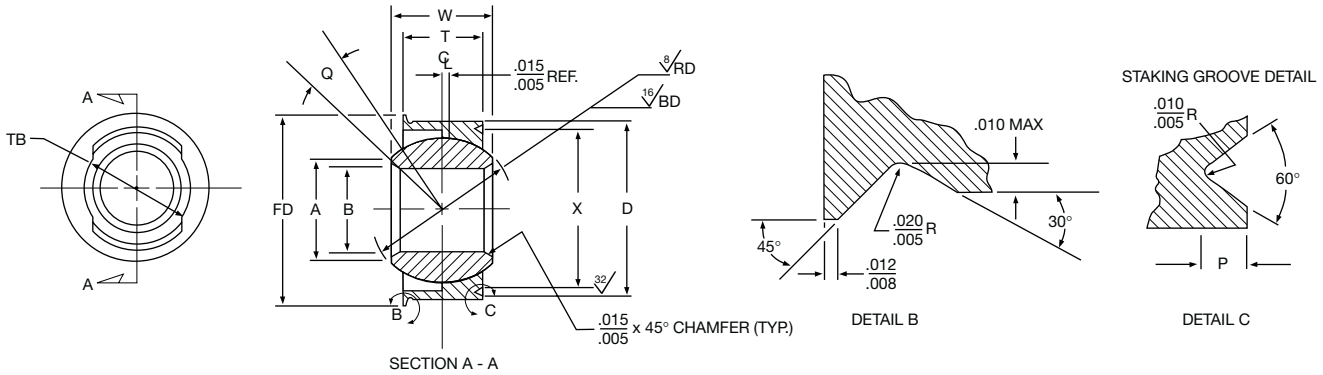


LOADER SLOT BEARINGS

Plain



Part Number	(B) Bore Diameter	(D) Outside Diameter	(W) Ball Width	(T) Race Width	(BD) Ball Spherical Diameter	(RD) Race Spherical Diameter	(A) Ball Flat Diameter	(TB) Thru Bore	(Q) Mis-alignment	(FD) Flange Diameter	(P) V-Groove Depth	(X) V-Groove Centerline	Radial Static Limit Load [◇]	Axial Static Limit Load [◇]	Weight
	Inch	Inch	Inch	Inch	Inch	Inch	Inch	Inch	Ref.	Inch	Inch	Inch	lbs.	lbs.	lbs.
	+ .0000 - .0005	+ .0000 - .0005	+ .000 - .002	+ .003 - .003	+ .0000 - .0005	+ .0005 - .0000	Ref.	+ .003 - .003		+ .002 - .002	+ .004 - .004	+ .003 - .003		Ref.	Ref.
AMB3	.1900	.5625	.281	.218	.4060	.4070	.293	.360	10°	.582	.026	.494	2820	995	.02
AMB4	.2500	.6562	.343	.250	.5000	.5010	.364	.449	12°	.676	.026	.588	4880	1160	.02
AMB5	.3125	.7500	.375	.281	.5625	.5635	.419	.503	11°	.770	.026	.682	8920	1320	.03
AMB6	.3750	.8125	.406	.312	.6250	.6260	.475	.563	10°	.852	.036	.714	14260	1630	.04
AMB7	.4375	.9062	.437	.343	.7180	.7190	.572	.651	9°	.946	.036	.808	20800	1810	.05
AMB8	.5000	1.0000	.500	.390	.8125	.8135	.640	.733	9°	1.040	.036	.902	23800	2000	.07
AMB9	.5625	1.0937	.562	.437	.8750	.8760	.671	.785	9°	1.174	.056	.970	26890	2550	.09
AMB10	.6250	1.1875	.625	.500	.9680	.9690	.739	.875	9°	1.267	.056	1.064	29070	2770	.11
AMB12	.7500	1.4375	.750	.593	1.1870	1.1880	.920	1.056	9°	1.517	.056	1.314	35210	3350	.21
AMB14	.8750	1.5625	.875	.703	1.3120	1.3130	.978	1.138	9°	1.642	.056	1.439	40500	3640	.27
AMB16	1.0000	1.7500	1.000	.797	1.5000	1.5010	1.118	1.300	9°	1.830	.056	1.627	46580	4080	.39

◇ Static limit loads calculated are approximate values, based on the following:
 Radial - .0018 inch pin deflection.
 Axial - bearing push-out (of housing).

Notes:

- Nitride or Malcomize spherical race ID.
- Balls rotate freely under finger pressure @ 72°F.
- Balls are fully interchangeable. No selective assembly allowed.
- Operating temperature range -65°F to 350°F.

Materials (AMB)

Part No.	Ball	Race
Catalog No.	Stellite® #6 AMS 5387 Rc37 min.	17-4PH AMS 5643 Rc34-40

STELLITE® is a registered trademark of DELORO STELLITE COMPANY, INC.

NHBB Part Numbering

