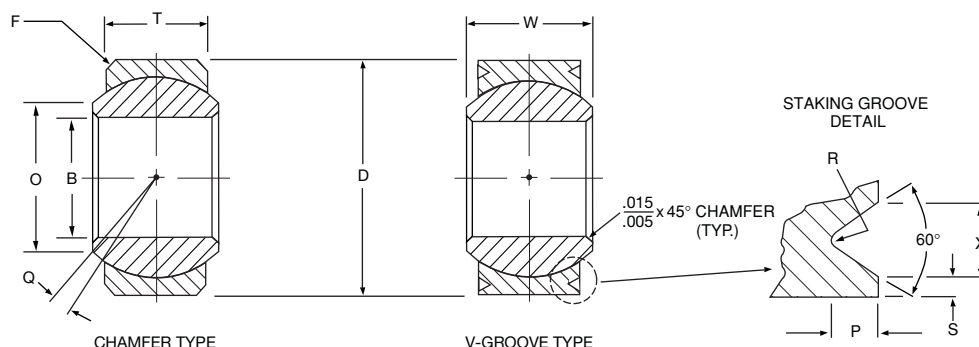




High Temperature



Part Number V-Grooved*	Part Number V-Grooved*	(B)	(D)	(W)	(T)	(O)	Ball Diameter	(F)	(Q)	(P)	(R)	(S)	(X)	Limit Static Radial Load		Weight
		Bore Diameter	Outside Diameter	Ball Width	Race Width	Shoulder Diameter		Race Chamfered x 45°	Mis- alignment		Staking Groove Data				Bronze Race	
		Inch	Inch	Inch	Inch	Inch	Inch	Inch	Ref.	Inch	Inch	Inch	Inch	lbs.	lbs.	lbs.
		+ .0000	+ .0000	+ .000	+ .000	Ref.	Ref.	+ .000		+ .000	+ .000	+ .000	+ .000			Ref.
		- .0005	- .0005	- .005	- .005			- .010		- .015	- .010	- .010	- .010			
AHT3V	AHET3V	.1900	.5625	.281	.218	.293	.406	.020	11°	.030	.015	.020	.045	4060**	4060**	.02
AHT4V	AHET4V	.2500	.6562	.343	.250	.364	.500	.022	13°	.030	.015	.020	.045	7040**	6390	.02
AHT5V	AHET5V	.3125	.7500	.375	.281	.419	.562	.032	11° 30'	.040	.020	.030	.055	10080	8210	.03
AHT6V	AHET6V	.3750	.8125	.406	.312	.517	.656	.032	9° 30'	.040	.020	.030	.055	13250	10790	.04
AHT7V	AHET7V	.4375	.9062	.437	.343	.572	.718	.032	9°	.040	.020	.030	.055	16120	13140	.05
AHT8V	AHET8V	.5000	1.0000	.500	.390	.642	.813	.032	9°	.060	.020	.030	.080	21040	17140	.07
AHT9V	AHET9V	.5625	1.0937	.562	.437	.671	.875	.032	10°	.060	.020	.030	.080	23730	19330	.09
AHT10V	AHET10V	.6250	1.1875	.625	.500	.739	.968	.032	9°	.060	.020	.030	.080	30700	25010	.11
AHT12V	AHET12V	.7500	1.4375	.750	.593	.920	1.187	.040	9°	.060	.020	.030	.080	45690	37230	.21
AHT14V	AHET14V	.8750	1.5625	.875	.703	.980	1.312	.040	9°	.060	.020	.030	.080	61020	49720	.27
AHT16V	AHET16V	1.0000	1.7500	1.000	.797	1.118	1.500	.040	9° 30'	.060	.020	.030	.080	80040	65220	.39

* For chamfered version, delete 'V' from part number.

** Based on pin limitation.

Notes:

- Load ratings are based on short-term exposure. Not intended for continuous use at temperature shown.
- Radial clearance: Free running to .002 max.

Materials

Series	Ball	Race	Temp.
AHT	Inconel® 718, thin dense chrome plated	CRES A-286, solution treated and aged, spherical surface silver plated	Brief exposure to 1000°F
AHET	Stellite® #3, thin dense chrome plated	"	Brief exposure to 1200°F

INCONEL® is a registered trademark of Inco Alloys International, Inc.
STELLITE® is a registered trademark of DELORO STELLITE COMPANY, INC.